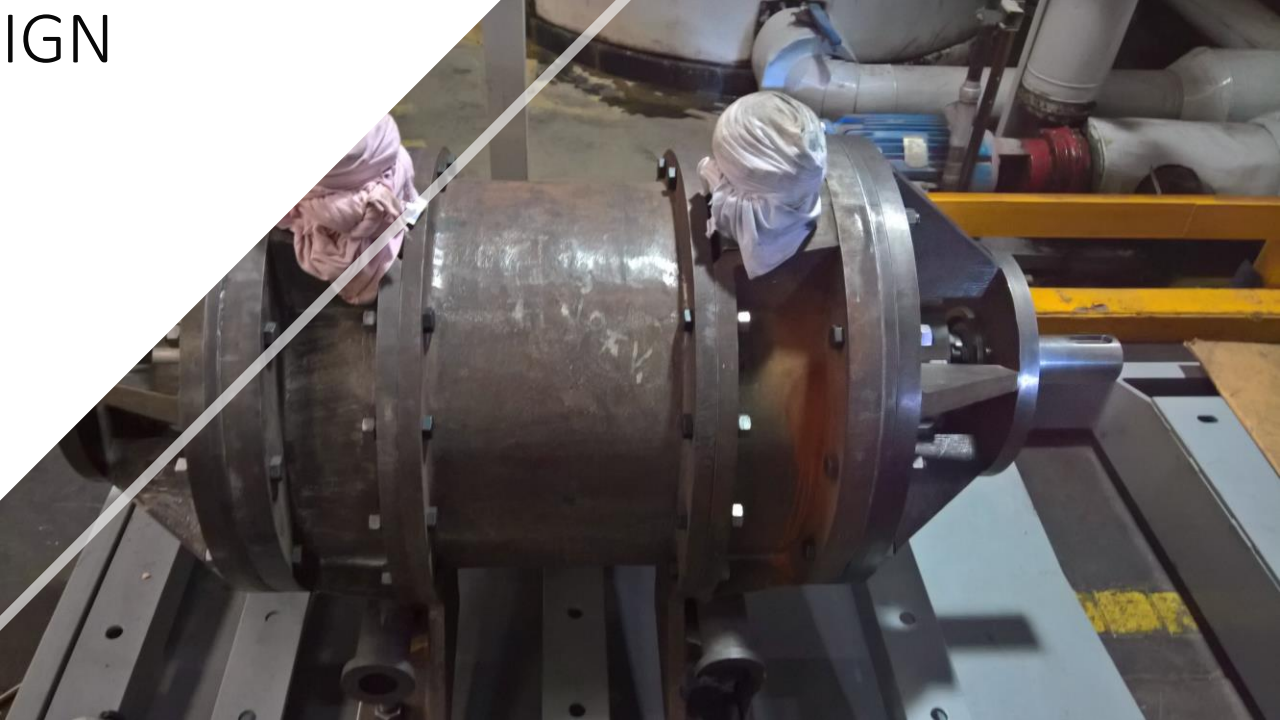
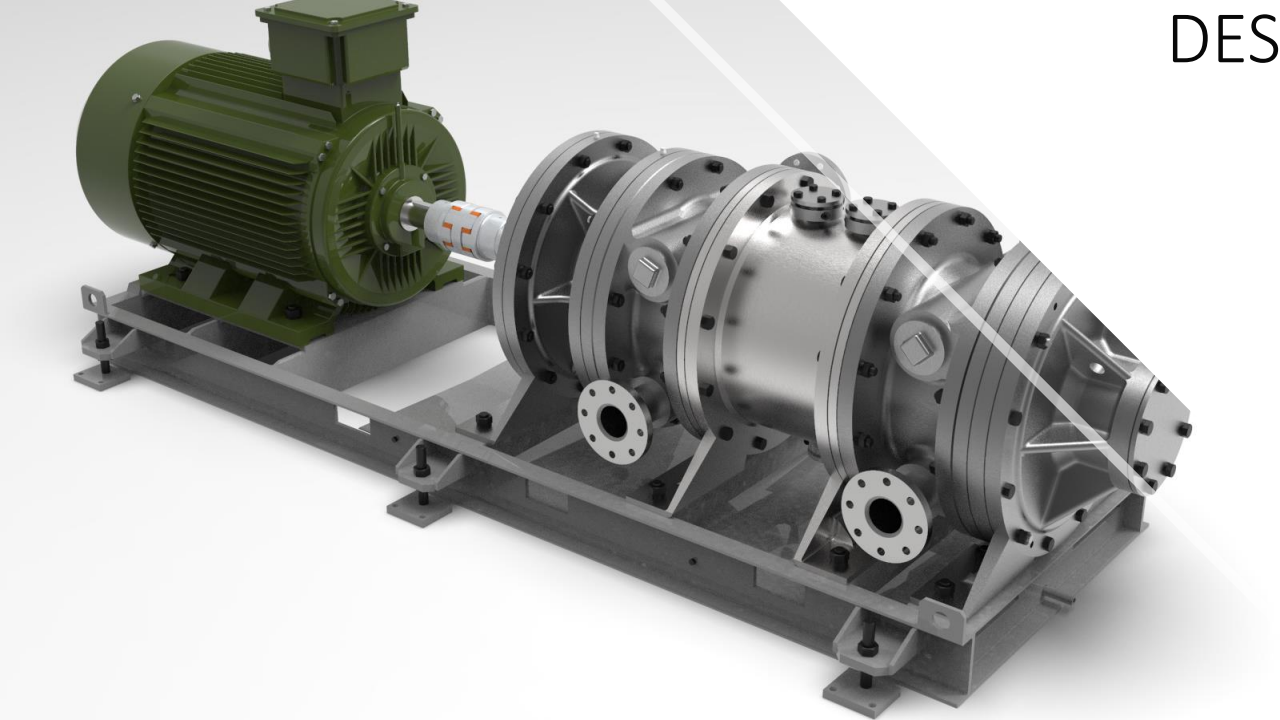
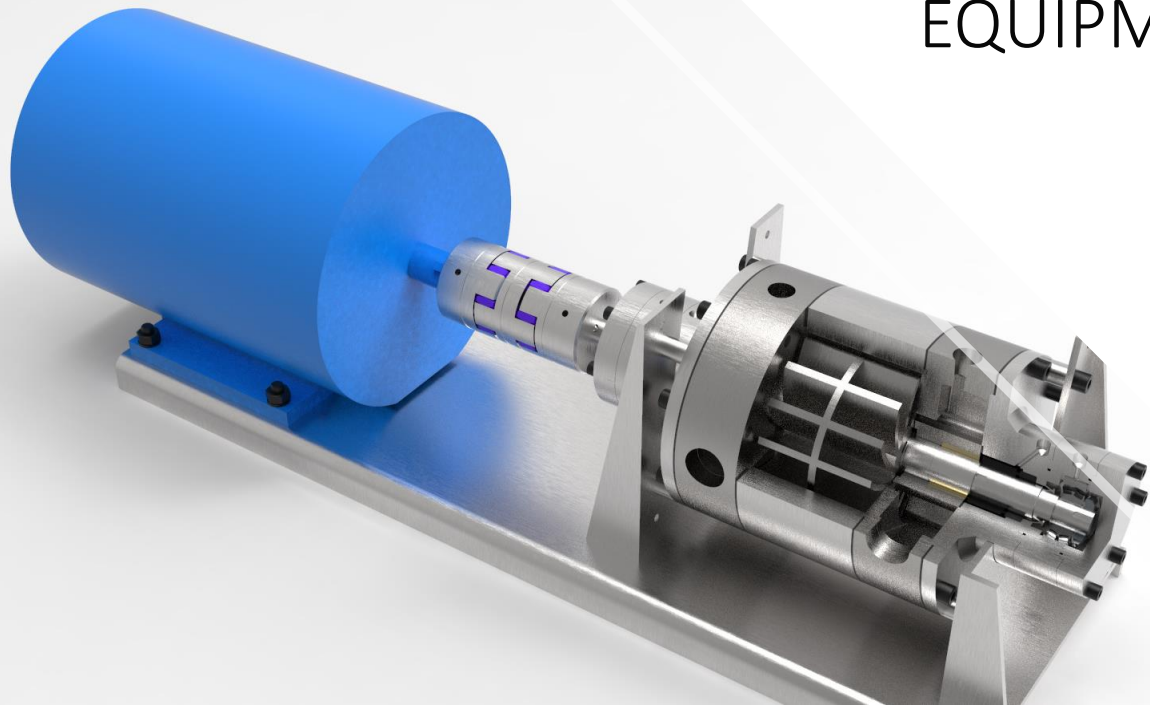


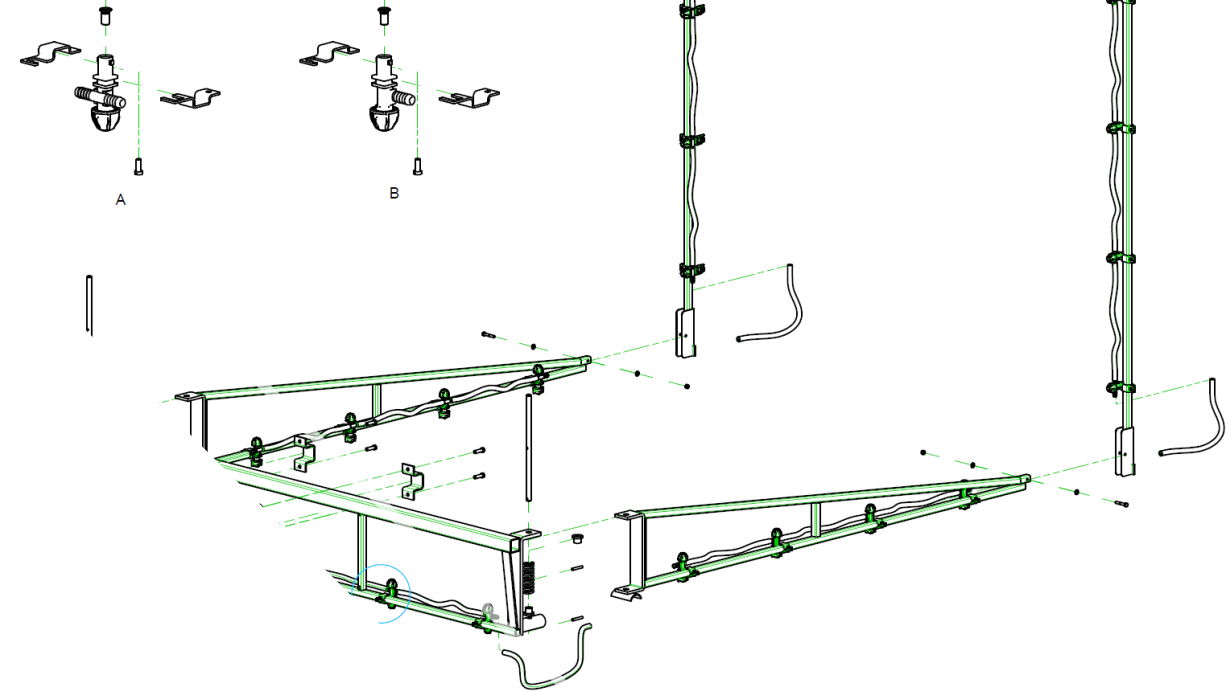
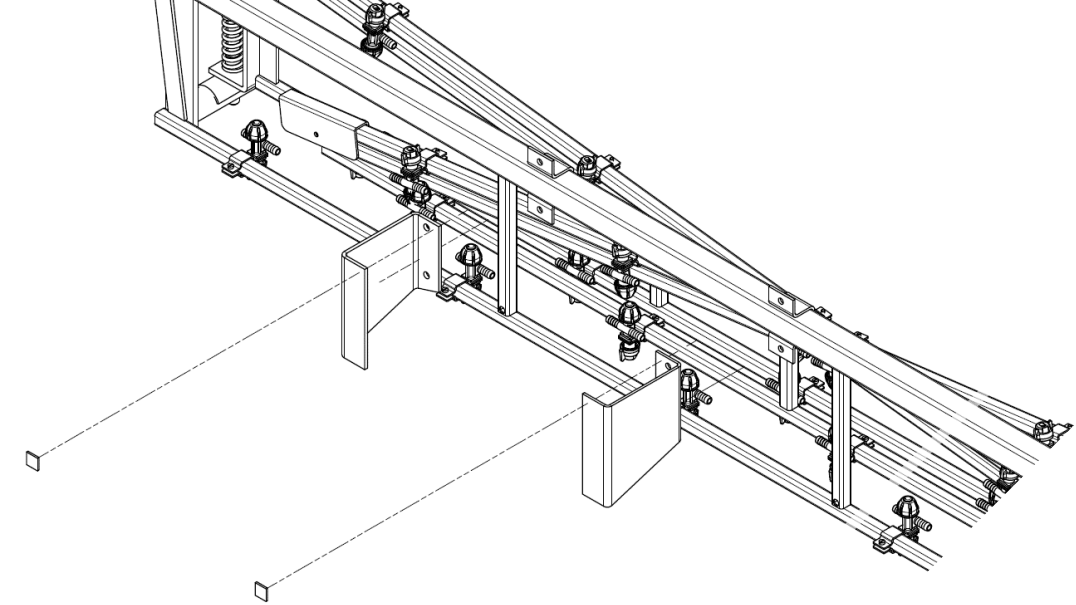
COMPLEX MACHINE
DESIGN



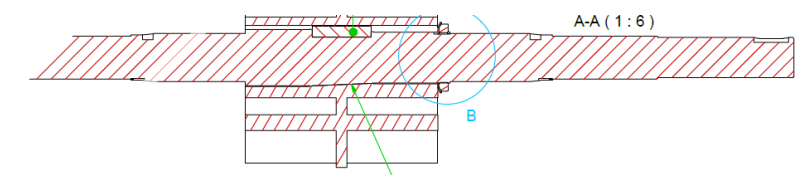
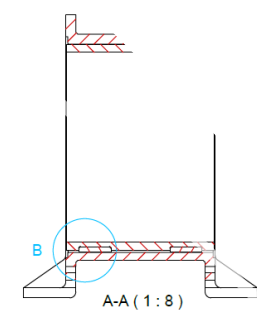
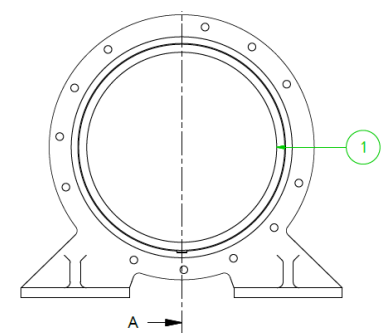


LABORATORY EQUIPMENT DESIGN

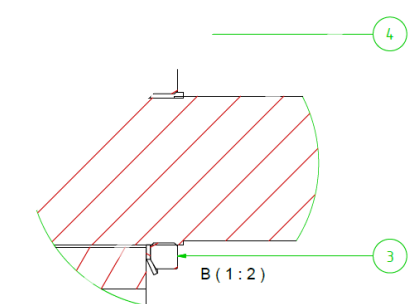
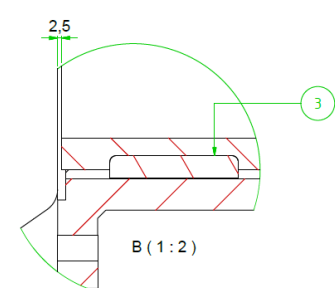
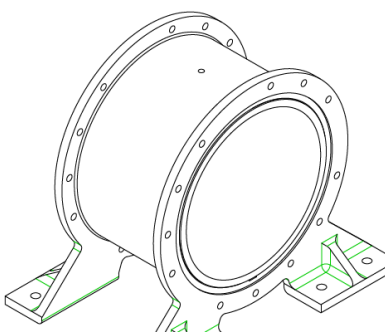




TECHNICAL DRAWINGS



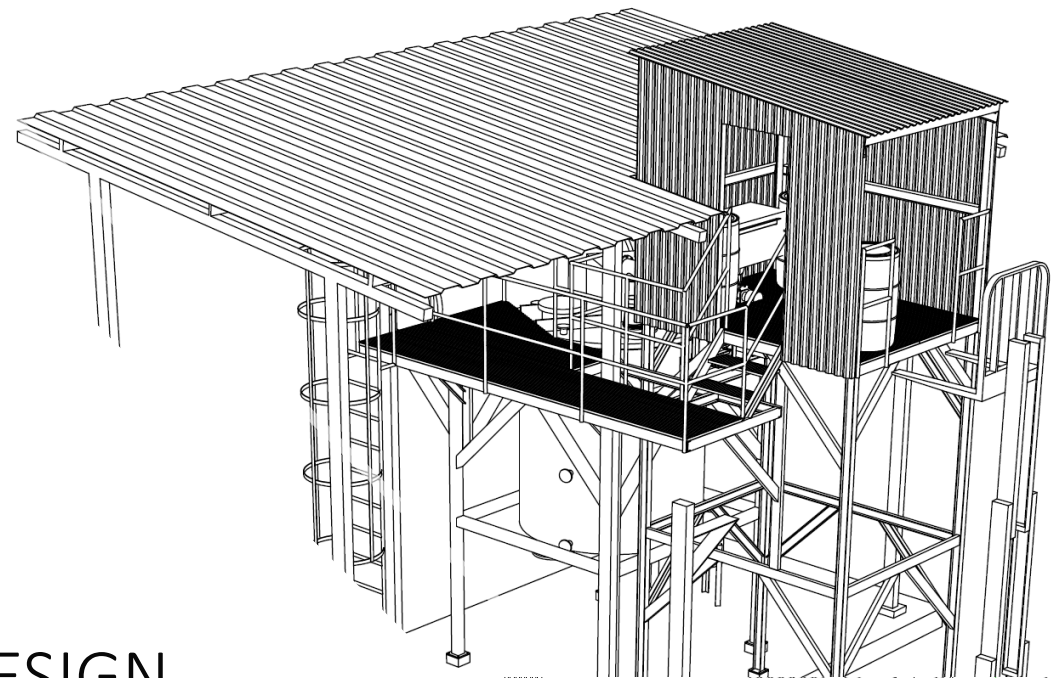
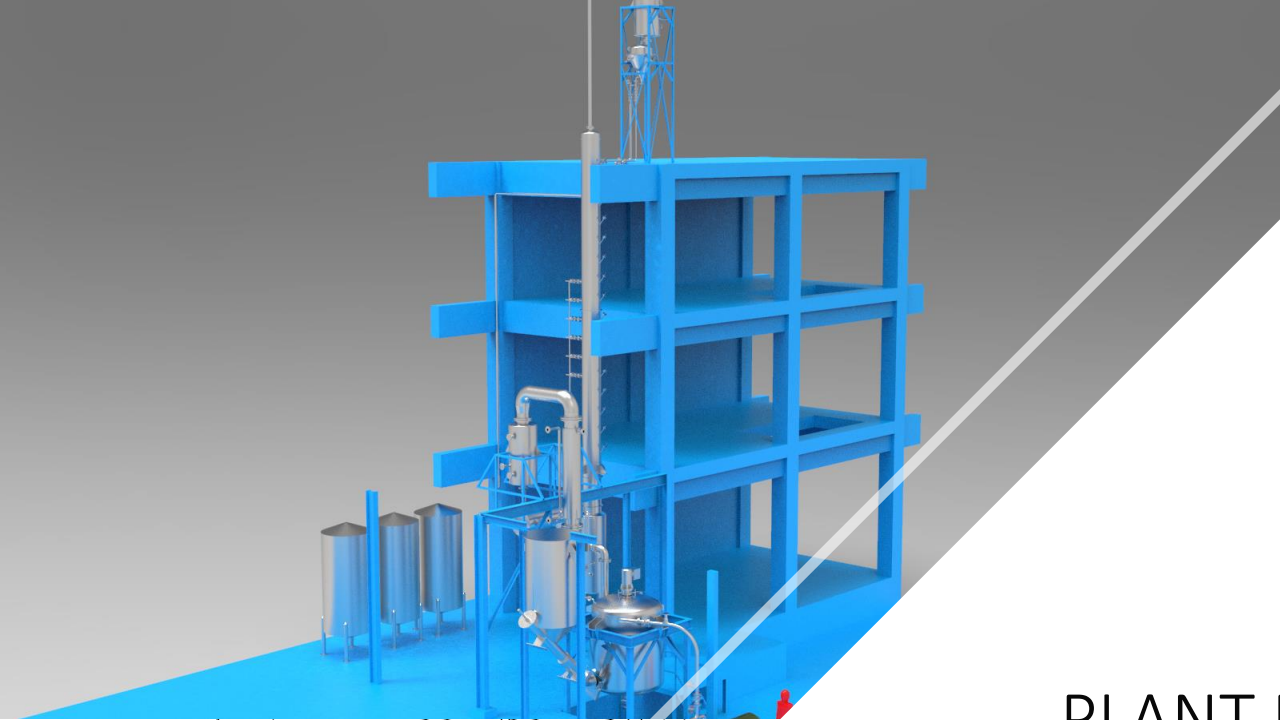
Adjust Rotor hub to shaft



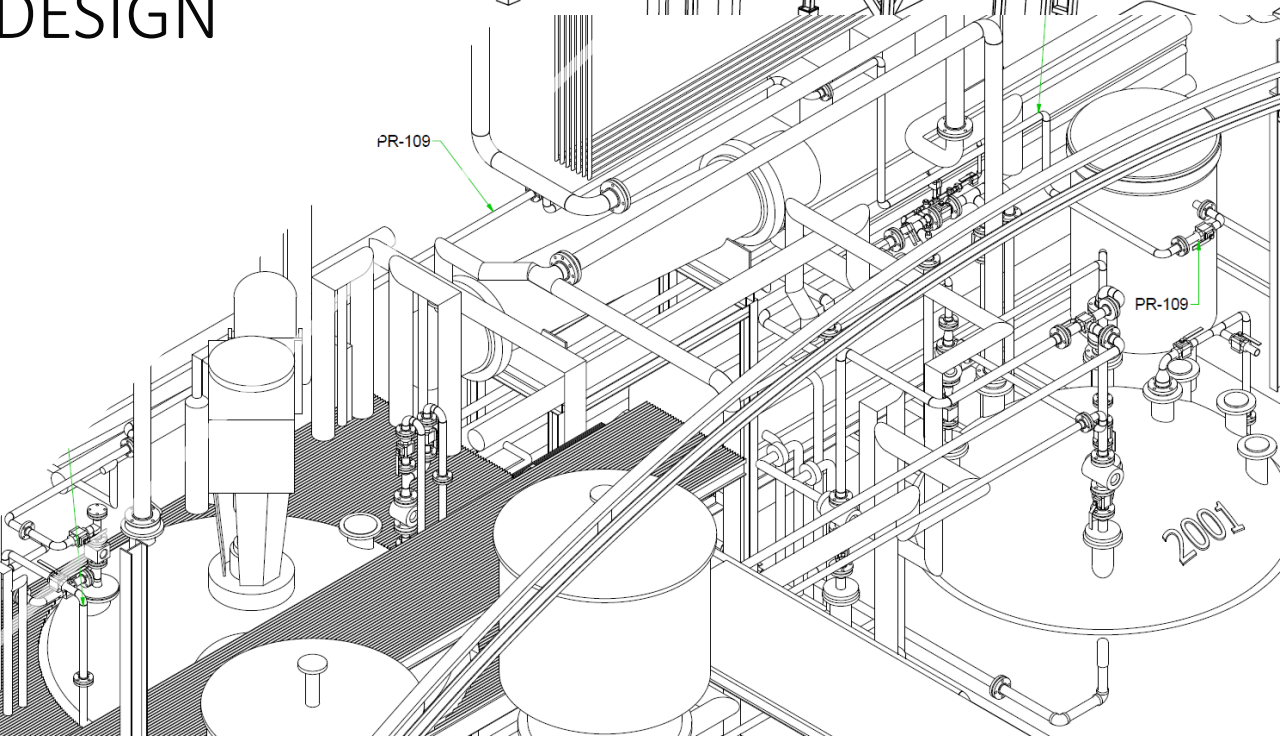
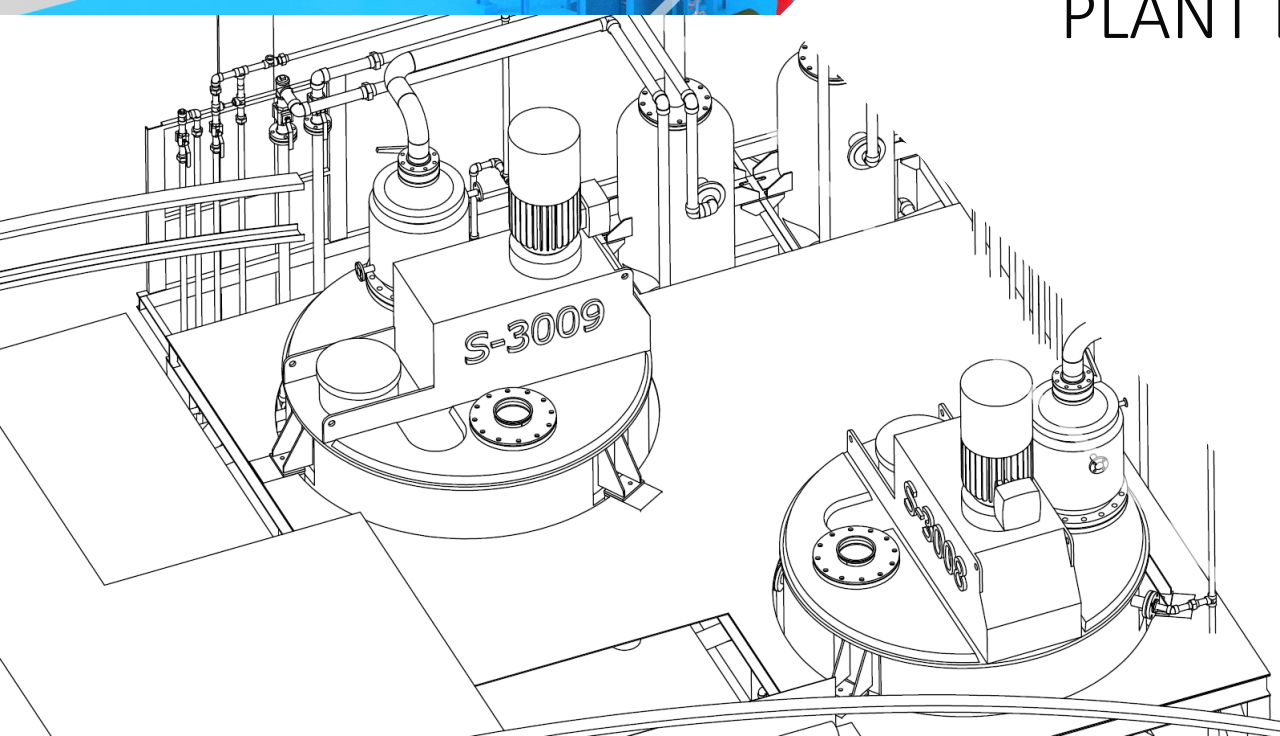
Surface Finish to DIN ISO 1302	Abbreviation	√Rz 180	√Rz 100	√Rz 63	√Rz 40	√Rz 25	√Rz 16	√Rz 10	√Rz 6,3	√Rz 4
REACTIMEX										

ITEM	QTY	PART #	DESCRIPTION
1	1	003-03	Shaft - Conic disc hubs, 15mm longer
2	1	004-03	Rotor
3	1	LND19	Lock nut - KM19
4	1	LWD19	Locking washer - MB19
5	1	PK003	Parallel key - DIN 6885 - 110 x 028 x 021

Surface Finish to DIN ISO 1302	Abbreviation	√Rz 180	√Rz 100	√Rz 63	√Rz 40	√Rz 25	√Rz 16	√Rz 10	√Rz 6,3	√Rz 4
		REACTIMEX S.A. S. de RL Av. Indus. 1202 C de Col. San José, Matamoros, Nuevo León, México				Form and position Tolerance DIN ISO 2768-1(m)		Material DIN # / Designation: ASTM: UNS:		
Date: 10/15/2015 Name: Victor Villaseñal Inge. Jorge Fdz.		Name: SUB002-03 - Shaft assembly		Misc:		Bezeichnung:		Revision: 1		
This Drawing is Property of REACTIMEX S.A. de C.V. It is protected by trade secret and may not be reproduced or forwarded to third parties or used otherwise without their consent.		Printed on: 12/16/2020		Filename: SUB002-03 - Flecha con rotor iam		Page: 1 / 1		Revision: 1		



PLANT DESIGN



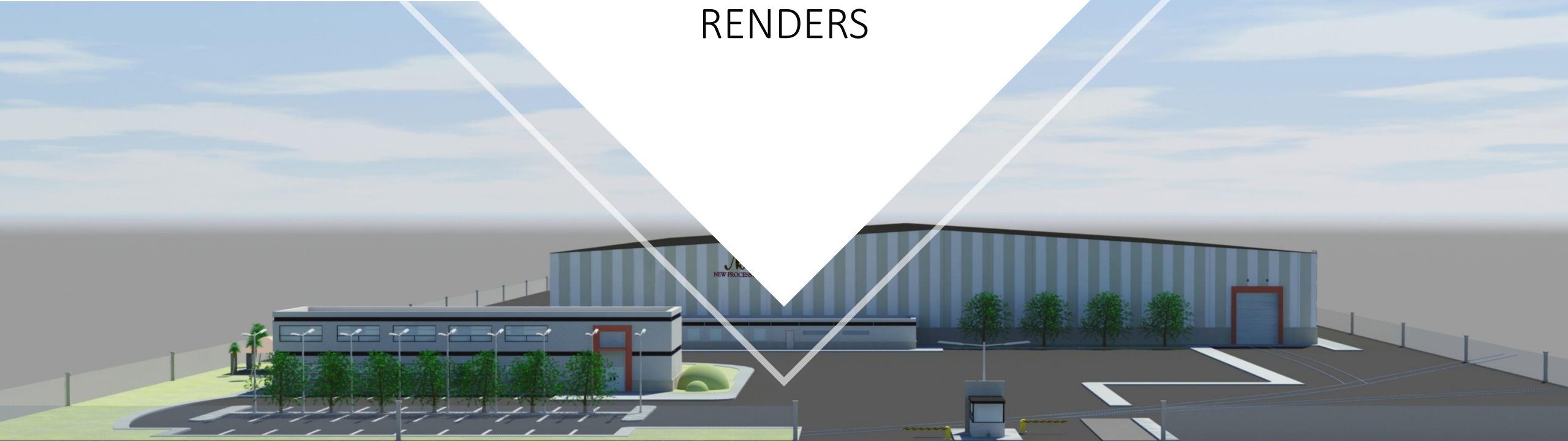


INTERIOR DESIGN
RENDERS





ARCHITECTURAL RENDERS





JEWELRY
RENDERS

